

Specifications:

T50-P and

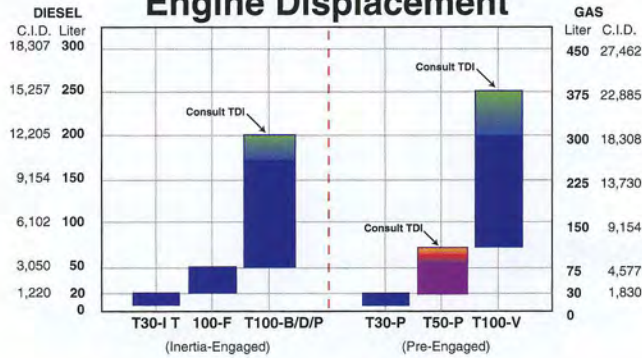
T50-Y

TURBOTWIN™

Engine Air Starters



Starter Selection Chart Engine Displacement

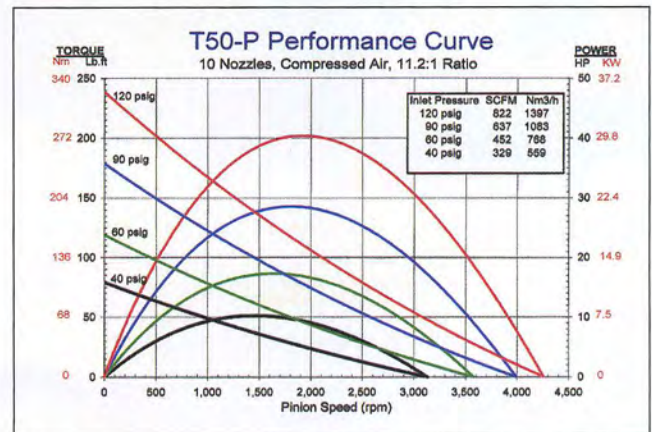
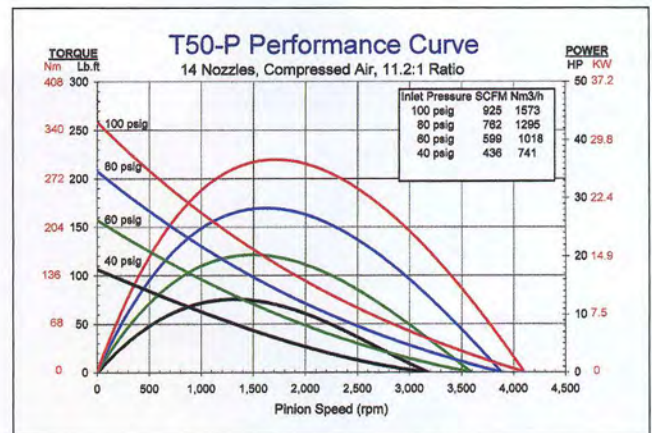
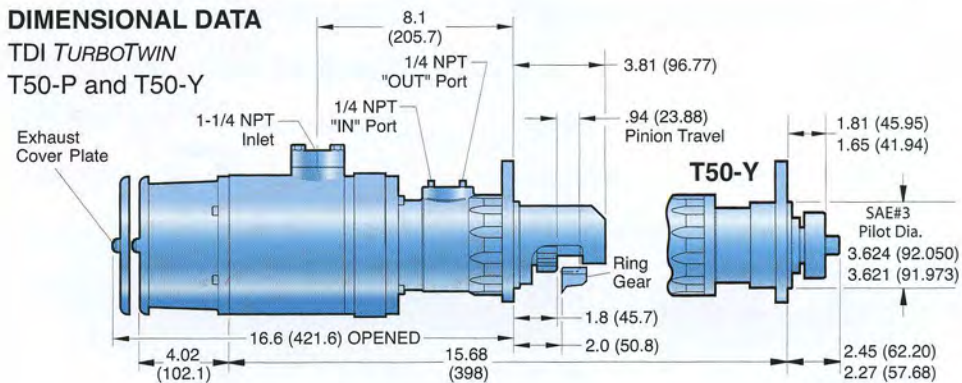


Consult your TDI Distributor and the TDI Selection Guide before choosing a TDI TURBOTWIN starter for any application.

This selection chart shows basic starter capability by engine size. Note the chart shows four-stroke diesel engine size on the left and four-stroke, spark-ignited engine sizes on the right. Always consult TDI for application-specific capability.

DIMENSIONAL DATA

TDI TURBOTWIN
T50-P and T50-Y



At 34 lbs. and 6" in diameter, the compact T50 delivers 40 hp of cranking power.

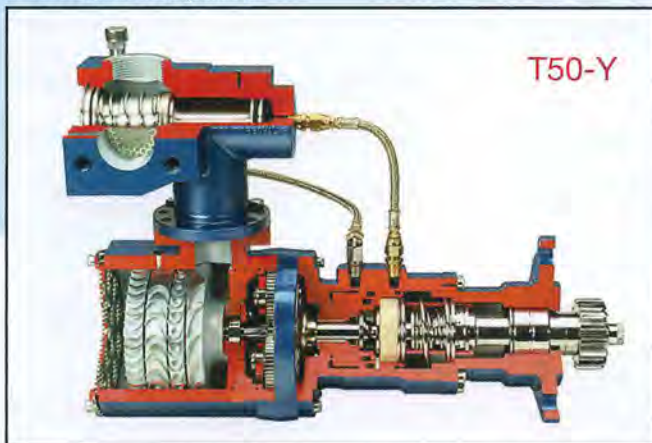
SPECIFICATIONS

Engines:	Starts Engines up to 70 Liters (4200 CID)	Rotation:	(Facing Pinion Orientation) Righthand/clockwise and Lefthand/counter clockwise
Design Configuration:	Inline; Pre-Engaged	Air Supply:	Air Only
Common Pinion Configuration:	6/8 Pitch, 11 Tooth	Lubrication:	Grease-Packed For Life, None Required
Mounting:	SAE 3	Gear Ratio:	11.2:1
Horsepower:		Custom:	Other models and configurations available. Consult your local TDI distributor.
Standard:	40 hp (30 kW) Max. at 120 psig (8.3 BAR)		
Low Pressure:	35 hp (26 kW) Max. at 100 psig (6.9 BAR)		
Weight/Size:	34 lbs. (15.4 kg), 6" diameter (152 mm)		

Operating Pressure Range:

MODEL	NOZZLES	PSI	BAR
T508-P/Y	8	45 - 150	3.1 - 10.3
T510-P/Y	10	45 - 120	3.1 - 8.3
T514-P/Y	14	45 - 100	3.1 - 6.9

For applications in the 60-90 psig (4.1-6.2 BAR) range, consult your TDI distributor for best nozzle configuration.



T50-P's grease-packed for life feature reduces wear, eliminates starter maintenance, and delivers a significantly longer starter life.



The T50-P's compact envelope and light weight make it a snap to install.

The Small T50 Provides More Than Enough Power to Start Any Mine Haul Truck



The T50-P provides reliable starting in any weather.



At only 34 lbs., one-person installation is a reality.

RJ Mann & Associates Inc.
Engine Controls & Panels/Compressor Parts

860 North 9th Avenue, Brighton, CO 80603
Ph: (303) 659-5139 Fax: (303) 659-5309
www.rjmann.com